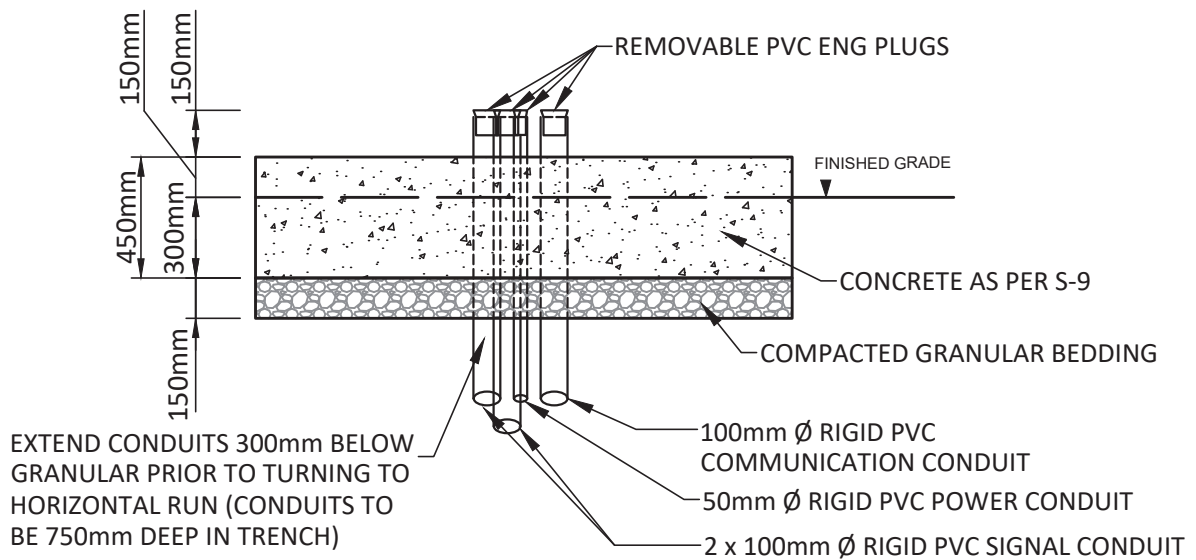



**PLAN OF CONCRETE CONTROLLER BASE**



**CROSS-SECTION A-A**  
**(THROUGH CONCRETE CONTROLLER BASE)**

**NOTES:**

1. ALL DIMENSIONS ARE IN MILLIMETERS UNLESS SHOWN OTHERWISE.

 <b>CITY OF WINDSOR</b> OPERATIONS DEPARTMENT	
<b>CONCRETE TRAFFIC CONTROLLER PAD</b>	
DR'N BY: EH, AZ	DATE: JAN, 2023
REV. DATE: MAY, 2024	CH'KD BY (ENG): PP
CH'KD BY (GEO): PJU	PASSED BY: ID
<b>Mark Winterton</b> Digitally signed by Mark Winterton Date: 2024.05.22 14:50:06 -04'00' CITY ENGINEER	
<b>TS-40</b>	

NOT TO SCALE