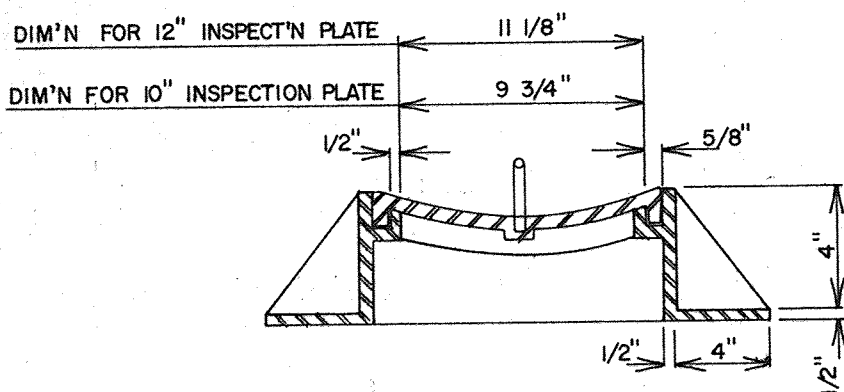


SECTION A-A



SECTION B-B

CITY OF WINDSOR DEPARTMENT OF PUBLIC WORKS	
SANITARY	SEWER
INSPECTION	PLATE
DR'N BY : K.A.J.	DATE: 4/16/71
REVISION: JAN. 1976	CH'KD BY: <i>D. J. H.</i>
CH'KD BY: <i>am</i>	PASSED BY: <i>[Signature]</i>
<i>H. Sahm</i> COMMISSIONER OF WORKS	AS-503