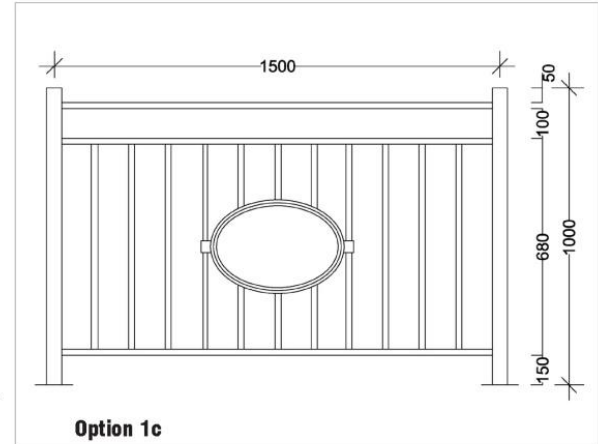
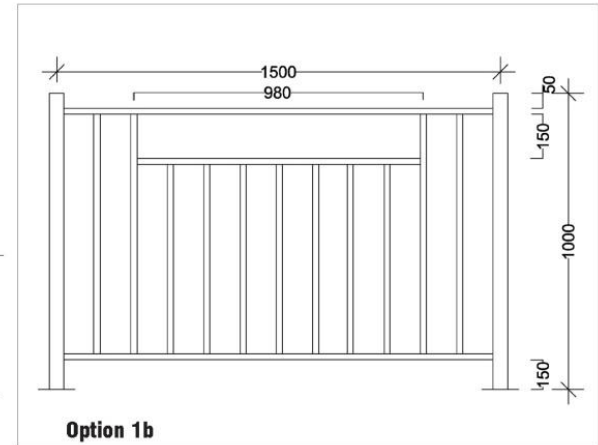
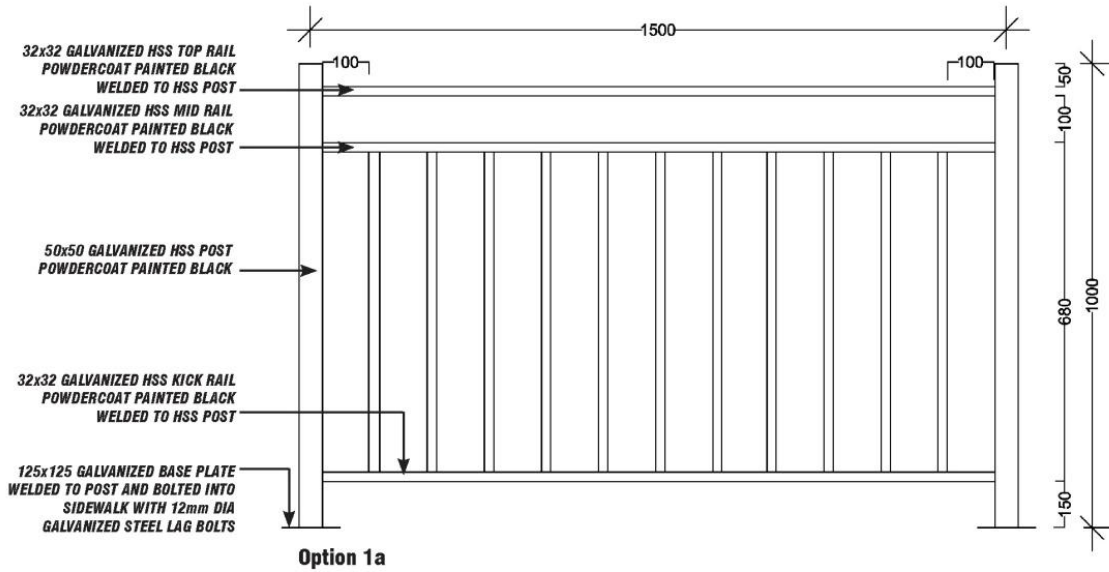


NOTE:

HOLES IN THE SIDEWALK AT ANCHOR POINTS ARE TO BE PRE-DRILLED, INSTALL A SLEEVE/ANCHOR OF METAL, PLASTIC OR OTHER MATERIAL ACCEPTABLE TO THE CITY ENGINEER, TO TAKE THE 12mm DIA. GALVANIZED STEEL LAG BOLT. THE SLEEVE/ANCHOR SHOULD ALLOW REMOVAL OF THE BOLT AT SEASON END AND REUSE OF THE SAME ANCHOR LOCATION (REFER TO APPENDIX B-3 FOR DETAILS)
*ALL BOLTS SHOULD BE TAMPERED-PROOF



Pre-Approved Sidewalk Cafe Enclosure (Option - 1)

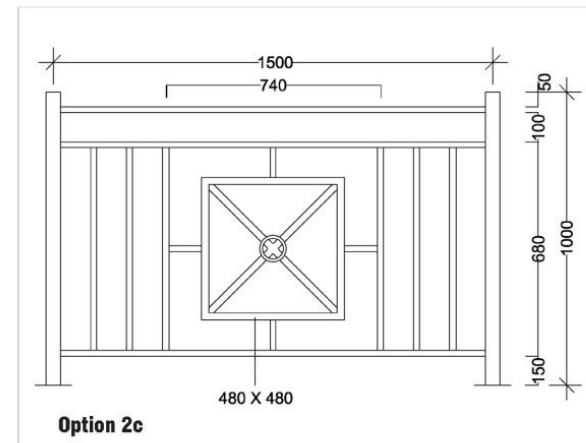
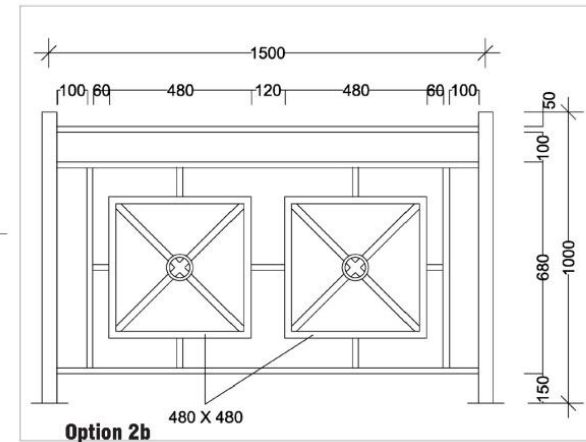
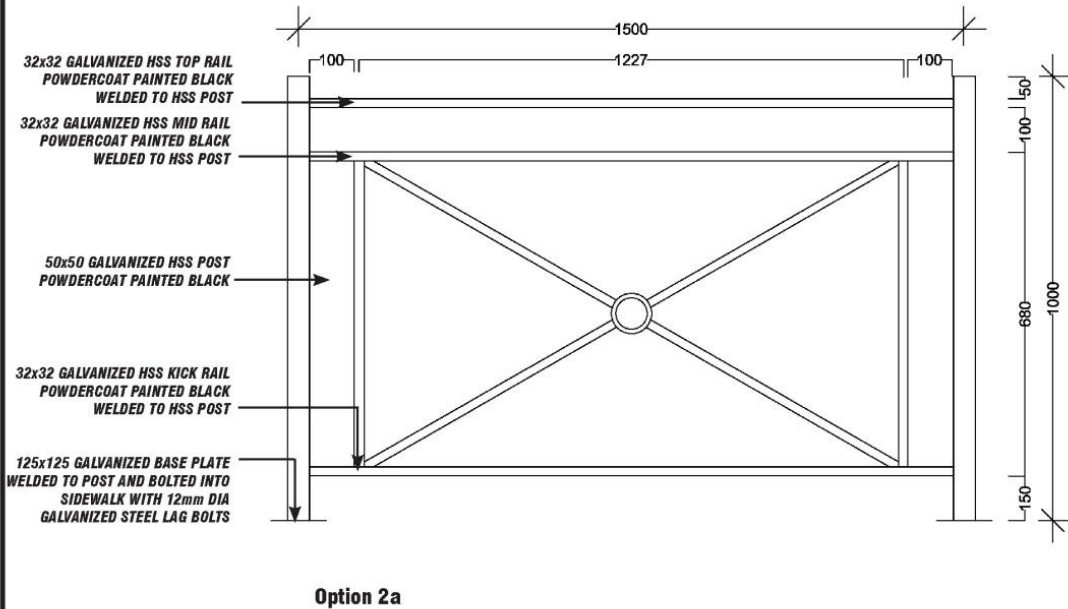
Appendix B-1
Scale: NTS

Sidewalk Cafe Handbook



NOTE:

HOLES IN THE SIDEWALK AT ANCHOR POINTS ARE TO BE PRE-DRILLED, INSTALL A SLEEVE/ANCHOR OF METAL, PLASTIC OR OTHER MATERIAL ACCEPTABLE TO THE CITY ENGINEER, TO TAKE THE 12mm DIA. GALVANIZED STEEL LAG BOLT. THE SLEEVE/ANCHOR SHOULD ALLOW REMOVAL OF THE BOLT AT SEASON END AND REUSE OF THE SAME ANCHOR LOCATION (REFER TO APPENDIX B-3 FOR DETAILS)
 *ALL BOLTS SHOULD BE TAMPERED-PROOF



Pre-Approved Sidewalk Cafe Enclosure (Option - 2)

Appendix B-2
Scale: NTS

Sidewalk Cafe Handbook

